

# GSRIG20

## GROUND STACK BRACKET FOR TORUS T8

# TORUS

### Features

- Ground stack up to 3 T8 cabinets when deployed with an SX subwoofer with M20 pole mount
- Single point mount with M20 thumb screw
- Variable array angles from  $-20^{\circ}$  to  $-40^{\circ}$  aim

### Applications

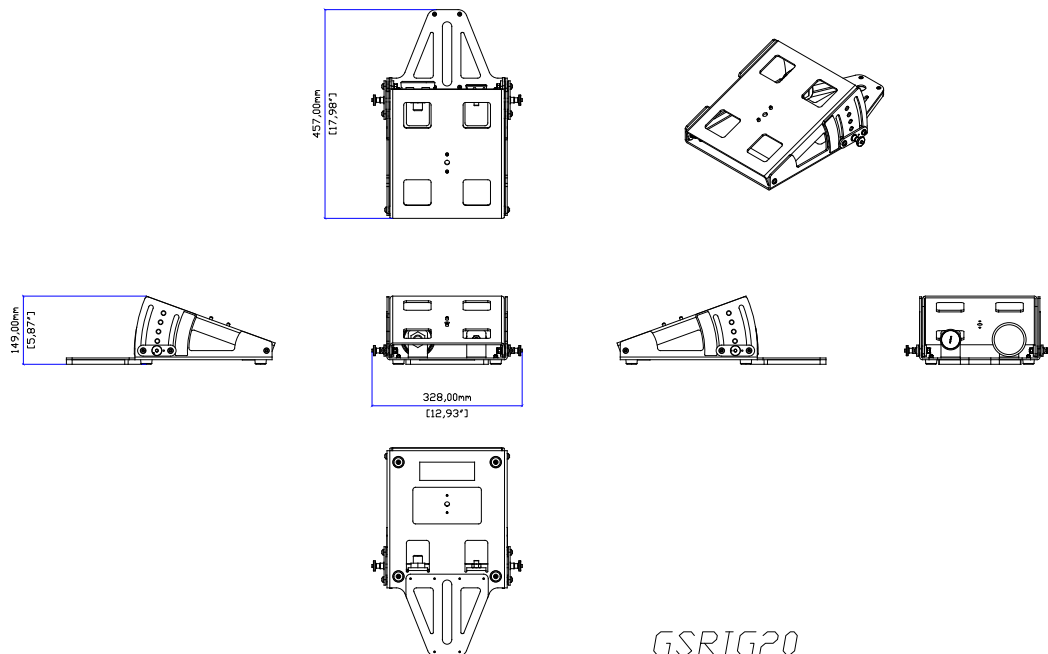
- Ground stacked TORUS T8 on top of an SX Subwoofer equipped with an M20 pole mount.

### Contents

- 1 x Ground stack grid
- 1 x M10 Handwheel
- 1 x M20 Handwheel
- 2 x Fly pins

### Technical Specifications

Weight:	7.3kg (16lb)
Material:	Weatherised Polyester Powder coated steel



GSRIG20